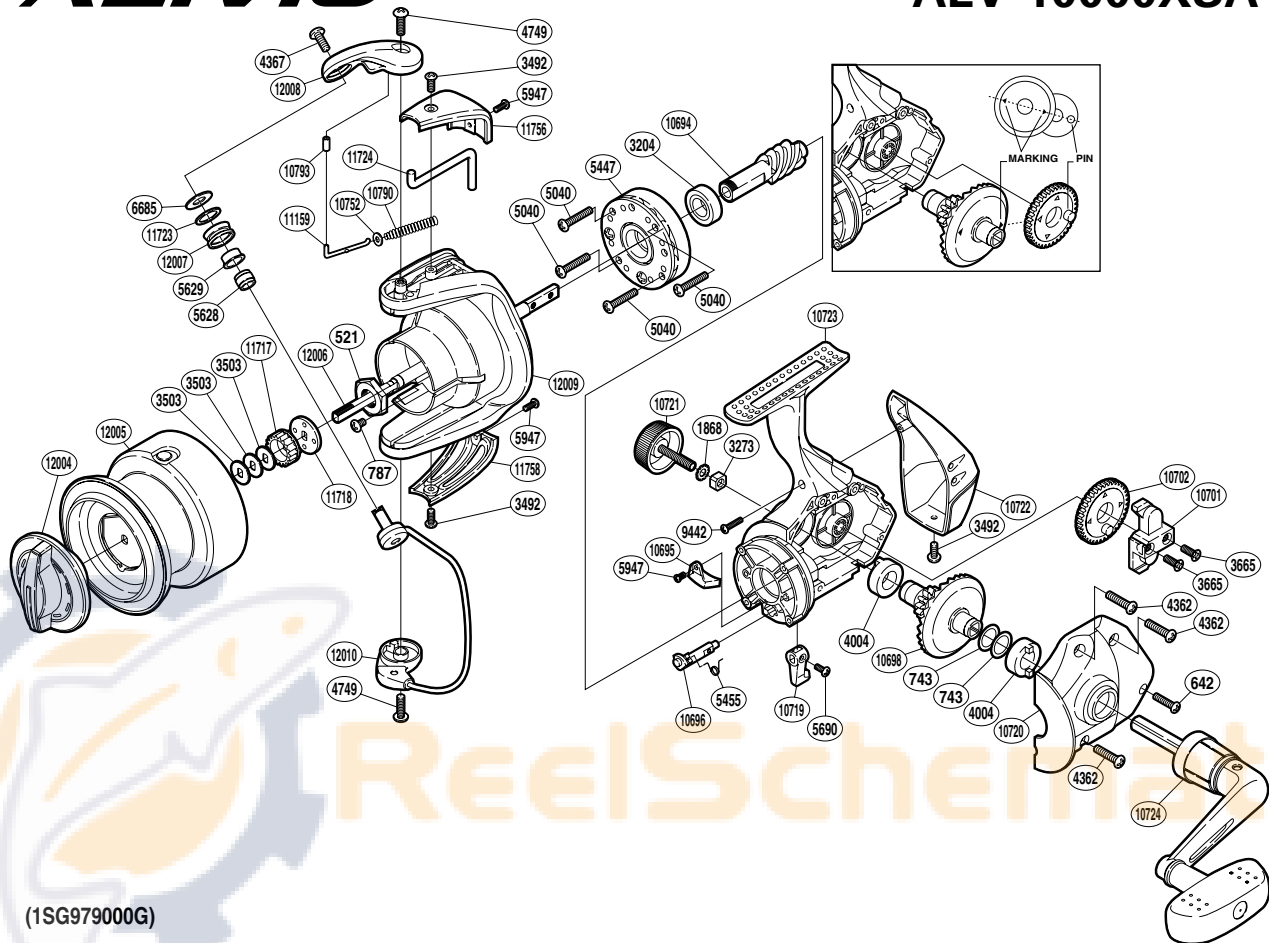


SHIMANO

ALIVIO

ALV-10000XSA



(1SG979000G)

| Part No. | Description | Part No. | Description | Part No. | Description |
|----------|-------------------------|----------|-----------------------------|----------|-------------------------|
| RD 0521 | Rotor Nut | RD 5629 | Line Roller Bushing | RD10790 | Bail Spring |
| RD 0642 | Screw | RD 5690 | Screw | RD10793 | Bail Arm Collar |
| RD 0743 | Washer | RD 5947 | Screw | RD11159 | Bail Spring Guide A |
| RD 0787 | Screw | RD 6685 | Line Roller Washer | RD11717 | Spool Support A |
| RD 1868 | Handle Lock Washer | RD 9442 | Screw | RD11718 | Spool Support B |
| RD 3204 | Ball Bearing | RD10694 | Pinion Gear | RD11723 | Line Roller Spacer |
| RD 3273 | Handle Screw Lock | RD10695 | Bail Trip Strike | RD11724 | Bail Trip Lever |
| RD 3492 | Screw | RD10696 | Anti-Reverse Cam | RD11756 | Bail Spring Cover |
| RD 3503 | Spool Washer | RD10698 | Drive Gear | RD11758 | Bail Hold Support Guard |
| RD 3665 | Screw | RD10701 | Oscillating Slider | RD12004 | Drag Knob |
| RD 4004 | Drive Gear Bushing | RD10702 | Oscillating Gear | RD12005 | Spool Assembly |
| RD 4362 | Screw | RD10719 | Anti-Reverse Lever | RD12006 | Main Shaft |
| RD 4367 | Screw | RD10720 | Side Cover | RD12007 | Line Roller |
| RD 4749 | Screw | RD10721 | Handle Screw Cap | RD12008 | Bail Arm |
| RD 5040 | Screw | RD10722 | Rear Protector | RD12009 | Rotor |
| RD 5447 | Roller Clutch Assembly | RD10723 | Body | RD12010 | Bail Assembly |
| RD 5455 | Anti-Reverse Cam Spring | RD10724 | Handle Assembly | | |
| RD 5628 | Line Roller Collar | RD10752 | Bail Spring Guide A Support | | |